

# TOPAZ

Mobile DR System

*Wider Coverage  
& Better Workflow*



# Mobile DR System

## Optimized Image Quality

### It begins with Advanced Technology

Integrating high technology and over a decade of experience in conventional and digital radiography systems, DRGEM's TOPAZ is a state-of-the-art mobile digital radiography system, designed with maximum comfort for patients and users in mind. From its user-friendly software to smooth movements, TOPAZ is made to improve your workflow and provide you with high-quality images.

### Options

- DAP(Dose Area Product) Meter
- Easily Detachable High Resolution Grid and Holder



### Full Featured Imaging Software & Excellent Digital Image Processing

With a high-performance, built-in touchscreen, TOPAZ offers a user-friendly interface and powerful software for easy operation and increased workflow. The anatomical view-based digital image processing automatically optimizes and enhances the quality of the image, with automatic image storage and print with DICOM 3.0 networking capability, increasing exam throughput and decreasing examination time.

- Provides convenient user interface and easy operation
- Anatomical view-based digital image processing
- Radiographic stand and automatic collimator control function
- DICOM 3.0 networking interface features include: worklist, print, store, and query for integration with any PACS or RIS.



### Wider Coverage

Longer arm stroke and high column provide wider coverage and patient-friendly operation service

### Safety Function

A safety function with front safety bumper & brake, spring loaded front wheel and status LED indicator provide best satisfaction and convenience for your patient and operator. It will prevent any unexpected and secondary accident.

### Accurate Positioning & Movement

Accurate positioning and precise movement provided with 4 direction buttons on this control panel



### Optimized Image Quality

Outstanding image quality by optimized digital image processing

### Ergonomic and Compact Design

Easy driving and maneuverability with ergonomic and compact design

### Convenient Storage Compartment

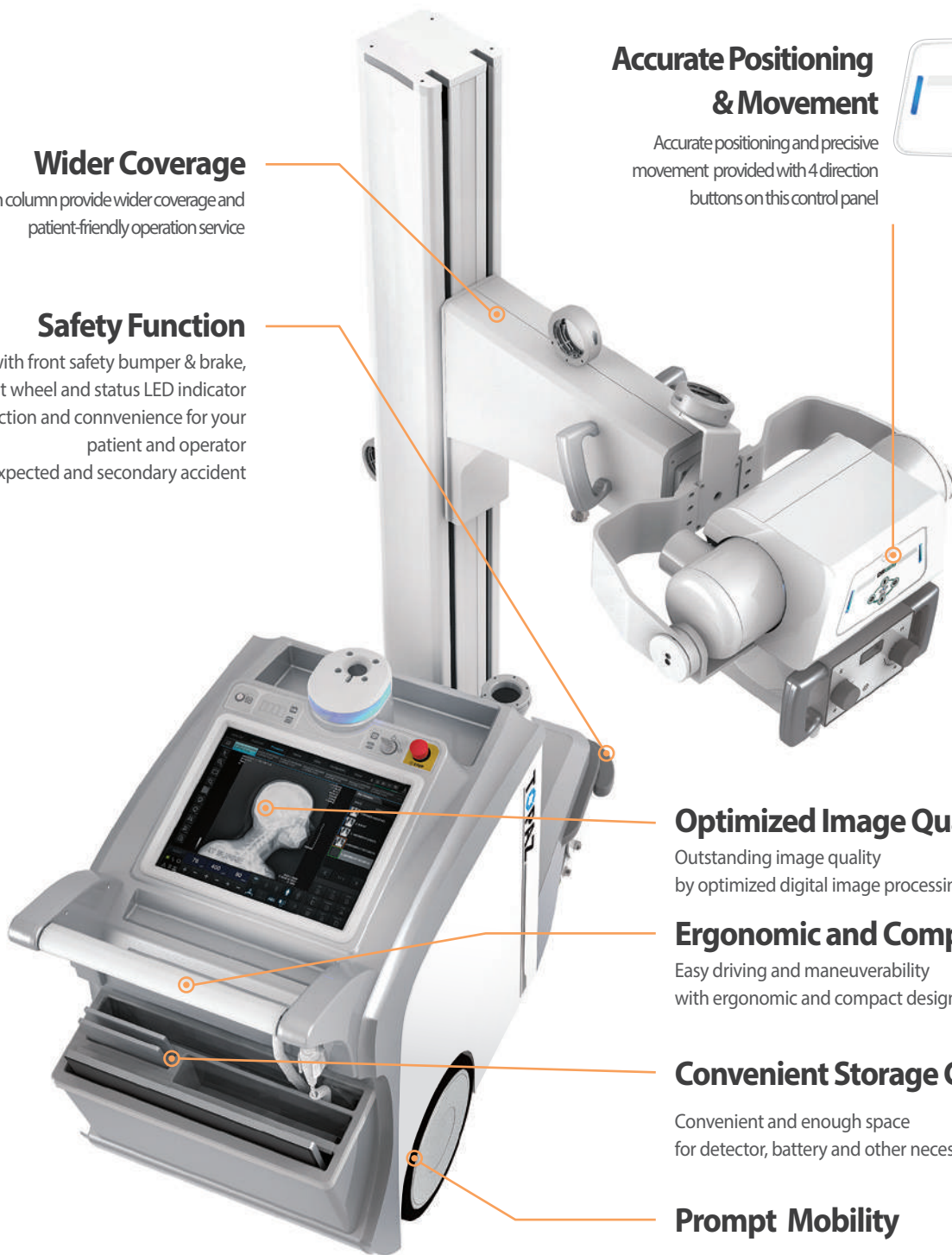
Convenient and enough space for detector, battery and other necessary stuff

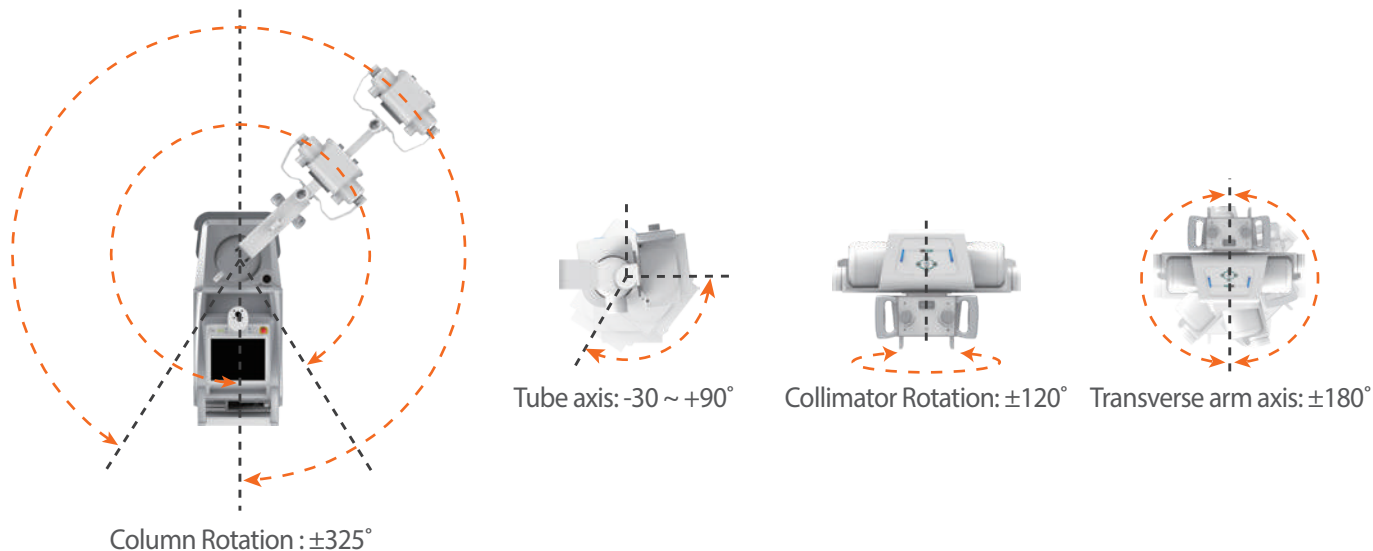
### Prompt Mobility

Swift mobility with 5km/h speed allows you to save time, cost and satisfy your patient with quick processing

### Remote Controller

Easy and convenient control of X-ray exposure and collimator lamp





## Specifications

### X-ray System

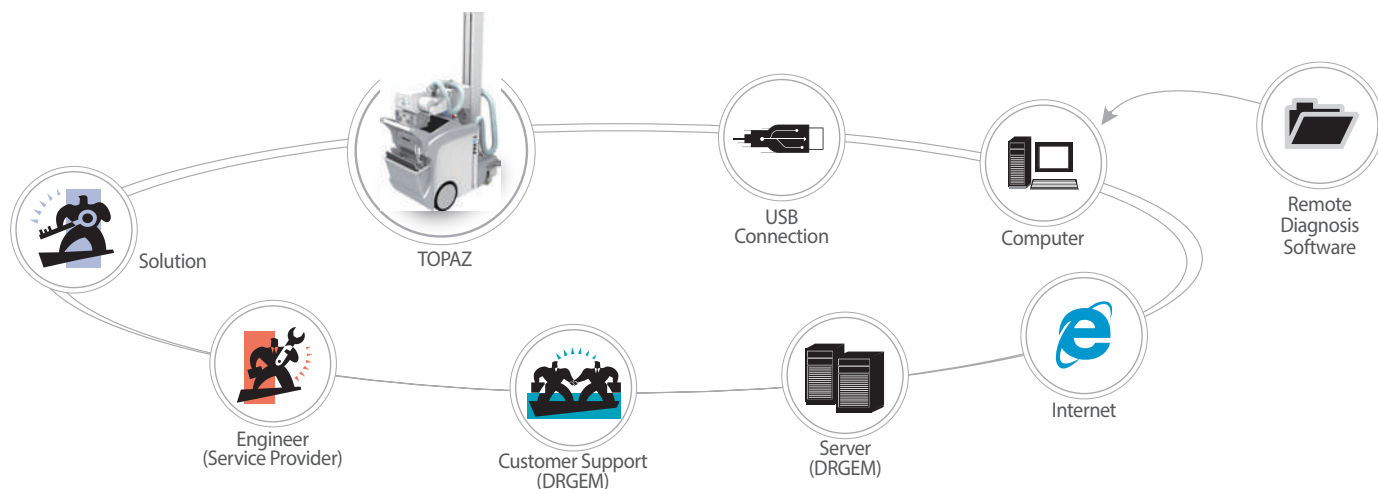
Model	TOPAZ-32D	TOPAZ-40D
Output Rating	32kW	40kW
kV Range	40 to 125kV / 150kV	
mA Range	10 to 400mA	10 to 500mA
mAs Range	0.1 to 500mAs	

### Digital Flat-panel Detector

Size	14x17inch
Scintillator	CsI / GOS
Type	Wireless

## Remote Diagnosis

Remote diagnosis function enables fast and accurate diagnosis to save service cost and minimize system downtime.



© DRGEM Corporation - All rights reserved. Reproduction in whole or in part is prohibited without the written consent of the copyright-holder.

Specifications and features are subject to change without notice. All changes will be in compliance with regulations governing manufacture of medical equipment.